

SKZ156B Computer system control Elmendorf Tearing Tester



It is suitable for the determination of tear strength (Elmendorf Method). It adopts single chip for data detection and processing, pneumatic component performance process control, large-sized LCD dot matrix display screen, which prompts operation procedures and tests data. With serial and parallel output, it can output the detection report via printer, and also get connected with the computer.

Standard:

ASTMS1922, FZ/T60006, FZ/T75001, ISO1974/9290, ASTM D1424/5734

Character:

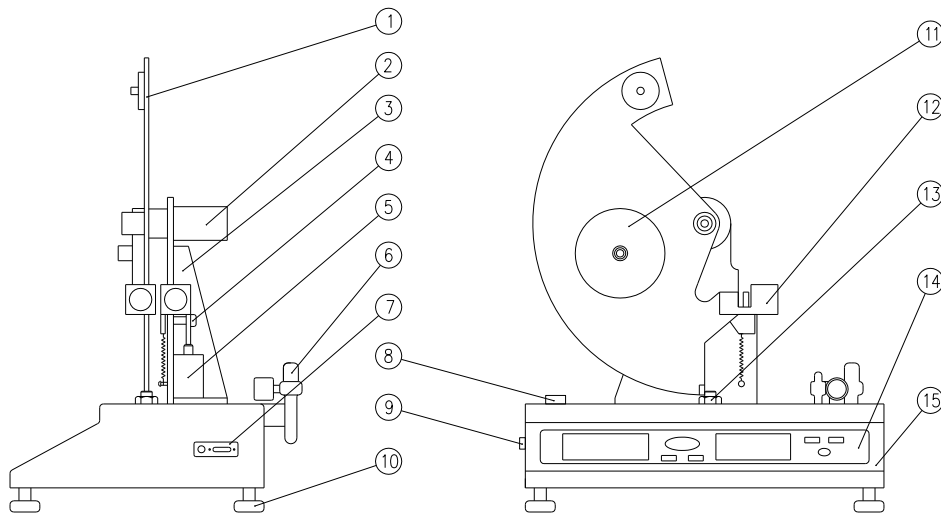
- 1, computer control, digital decoder
- 2, English menu interface
- 3, pneumatic clamping, automatic cut,
- 4, multiple units of measure (gf, cN, cP) selection
- 5, support online communication
6. Resolution: 0.04N

Main technical parameters:

1. Tear strength test range: 1 ~ 16N (Hammer A)
1 ~ 32N (Hammer B)
1 ~ 64N (Hammer C)
2. Test accuracy: $\leq \pm 0.2\% F \cdot S$
3. Tear lengths: 43mm
4. Incision lengths: 20 ± 0.2 mm
5. Sample size: 100×63mm

- 6. Air source pressure: 0.6 ~ 0.8Mpa
- 7. Power supply: AC220V/50Hz, 100W
- 8. External dimensions: 480×350×640mm
- 9. Weight: 20kg
- 10. Output type:
 - 10.1 LCD screen (240×128) shows the operation steps, setting parameters and test results.
 - 10.2 Printing test report of Panasonic KX-P1131 24-pin printer (Chinese and English)

Instrument structure and working principle:



15	Case device
14	Operation Panel
13	Limit device
12	Clamp device
11	Pendulum
10	Adjustable feet
9	Power switch
8	Level device
7	Computer connection port and printer interface
6	Air source device (reducing valve)
5	Power device
4	Cutter device
3	Support mechanism
2	Pendulum fixation mechanism
1	Pendulum device

2. Working principle:

Raise the hammer to a certain height to gain a certain potential energy; keep the movable and fixed holders in line with the sample stuck in between, and the cutter will cut a hole in the middle of the sample. When the hammer freely swung down, the moveable holder will quickly separated from the fixed holder, to tear apart the sample by means of the stored energy in pendulum itself; from the remaining potential energy of the pendulum obtained by the control system after the sample is torn, we can calculate the energy consumed for tearing the sample, and thus get the force required during the tearing of sample.