

SKZ1015 Dry Oven



The drying oven can provide drying, baking, sterilization and heat treatment. Stainless steel tank and digital display, its working temperature can reach to the highest point from room temperature, which can also be adjusted arbitrarily.

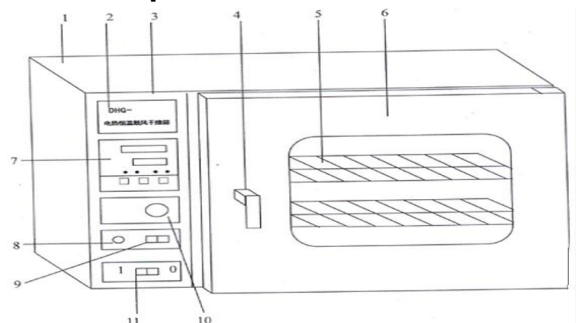
Technical parameters:

1. Range of temperature adjustment: room temperature: 10°C --300°C
2. Temperature fluctuation: $\pm 1^{\circ}\text{C}$
3. Blast motor power: 40W
4. Heating furnace wire power: 1.6KW
5. Rated voltage: 220V
6. Dimension of working room: 340×325×325mm, 420×400×345mm, can be special ordered

Optional accessory:

1. Intelligent LCD program temperature controller (30 sections)
2. LCD independent limit temperature controller
3. Printer

Sketch map



1. body, 2. name card, 3. control panel, 4. Handle, 5. Shelf,
6. chest door 7. temperature- control, 8. power indicator light,
9. power switch, 10. choke adjustable knob, 11. choke switch